

FL2100 LED Fiberoptic Illuminator Indoor

JOB NAME

TYPE

SPECIFICATIONS

FEATURES

USB programmable
Stand-alone operation
DMX controllable

ELECTRICAL

Input Voltage: 12V DC
Input Current: 3A MAX

OPERATING ENVIRONMENT

Ingress Protection: IP20
Exposure: Dry location
Operating Temperature: -20° to 45°C
Storage Temperature: -40° to 75°C
Acoustic Noise: 32 dBA
Airflow: 18 cfm



OPTICAL PERFORMANCE

Device Color	Port Lumens*	Minimum CRI
Mixed RGB	240/480/100lm	NA
2800K White	810lm	90
3000K White	810lm	90
4200K White	810lm	90
4400K White	810lm	90
5000K White	810lm	85
6500K White	990lm	75

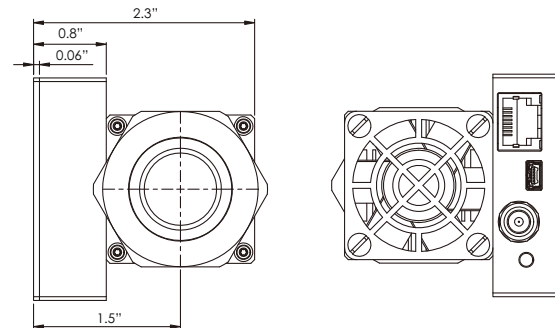
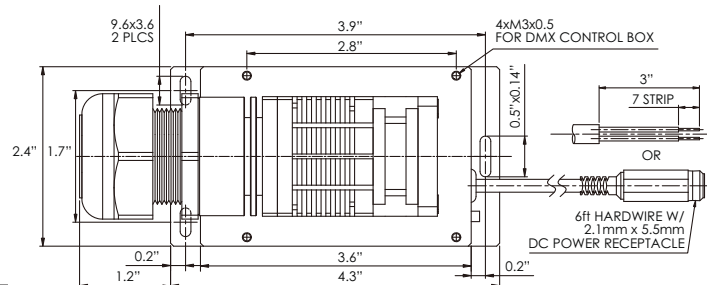
*Typical value at 25°C ambient

MECHANICAL

Material/Finish: Black aluminum
Weight: 0.6 lbs.
Dimensions: 5.5" x 2.4" x 2.3"
Thermal Management: Fan forced airflow

MOUNTING

OK to mount in any orientation
Keep vents free from obstruction



ORDERING GUIDE

FL2100	Device Color	Fiber Port Size	Homogenizer	Power Supply
MX	Mixed RGB	10 10-14mm	N No Homogenizer	P1 Portable LPS w/ DC Connector
2800	2800K White	13 13-20mm	H With Homogenizer	H1 Hardwired Unit
3000	3000K White	18 18-25mm		01 No Power Supply, Fly Leads
4200	4200K White			
4400	4400K White			
5000	5000K White			
6500	6500K White			

FIBER CAPACITY: Using 0.75mm Diameter Fiber: 180 fibers in Fiber Port Size 10, 400 fibers in Fiber Port Size 13, 600 fibers in Fiber Port Size 18. **HOMOGENIZER:** Homogenizer is suggested when using stranded fiber to ensure each strand is illuminated equally in intensity and color. **POWER SUPPLY INFORMATION:** Reference FiberLamp.com for power supply information.

Example: FL2100-2800-10-N-P1