

# FL5600 LED Fiberoptic Illuminator

JOB NAME

TYPE

## SPECIFICATIONS

### FEATURES

UL Listed for Wet locations  
 Stand-alone operable  
 USB programmable  
 Manual, 0-10V and DMX controllable  
 Mixed Color or Single Bright White

### ELECTRICAL

Input Voltage: 24V DC  
 Power Consumption: 120W Max

### OPERATING ENVIRONMENT

Ingress Protection: IP65  
 Exposure: Outdoor  
 Operating Temperature: 0° to 40°C  
 Storage Temperature: -40° to 70°C  
 Airflow: 36 cfm  
 Acoustic Noise: 33 dBA



## OPTICAL PERFORMANCE

Device Color	Port Lumens*	Minimum CRI
Mixed RGBA	650/1100/500/650lm	NA
Mixed RGBW	650/1100/500/1250lm	NA
2800K White	3850lm	85
3000K White	3950lm	85
4200K White	4050lm	85
4400K White	4200lm	85
5000K White	4300lm	85
6500K White	4450lm	75

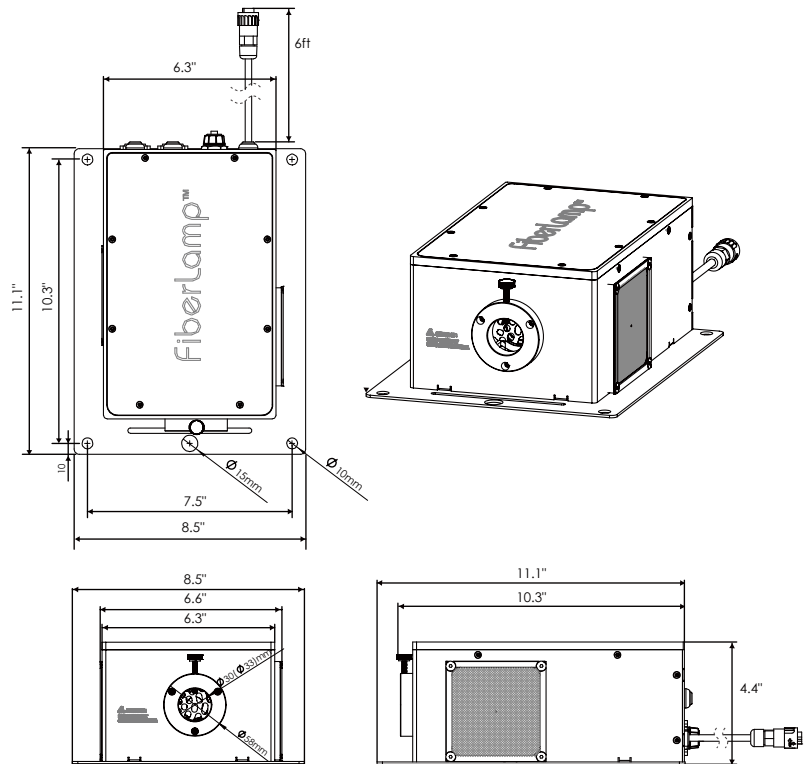
\*Typical value at 25°C ambient

### MECHANICAL

Material/Finish:  
 Black anodized aluminum, black iron plate  
 Weight: 9 lbs  
 Dimensions: 11.1" x 8.5" x 4.4"  
 DC input cord length: 6 ft

### MOUNTING

OK to mount in any orientation  
 Best orientation is with exhaust vent facing up  
 Keep vents free from obstruction



## ORDERING GUIDE

FL5600 —  —  —  —  — PSU

### Device Color

**MA** Mixed RGBA  
**MW** Mixed RGBW  
**2800** 2800K White  
**3000** 3000K White  
**4200** 4200K White  
**4400** 4400K White  
**5000** 5000K White  
**6500** 6500K White

### Fiber Port Size

**30** 30mm  
**33** 33mm

### Homogenizer

**N** No Homogenizer  
**H** With homogenizer

### Twinkle Wheel

**NT** No Twinkle Wheel  
**TW** With Twinkle Wheel

**FIBER CAPACITY:** Using 0.75mm Diameter Fiber: 700 fibers max in 30mm Fiber Port, 1000 fibers max in 33mm Fiber Port. Large Core outer diameter: 30mm for 30mm Fiber Port, 33mm for 33mm Fiber Port. Accessories offered for common end diameters less than 30mm and 33mm: ACS30-xx and ACS33-xx.  
**HOMOGENIZER:** Homogenizer is suggested when using stranded fiber to ensure each strand is illuminated equally in intensity and color.  
**PSU INFORMATION:** Reference [www.fiberlamp.com](http://www.fiberlamp.com) for PSU information.

Example: FL5600-MA-30-N-NT-PSU