

PRODUCT SPECIFICATION SHEET



Rev. C1

UFO P14 Paver



TECHNICAL INFORMATION

Lens	25mm square, clear or frosted
Beam angle	60°
Material	316 Stainless steel
Finishes available	Stainless steel
Weight	222.4g
Mounting hole size	38mm
Ferrule size	M10 or 8mm smooth
Min. fibre size	2mm
Max. fibre size	8mm

Our range of classic paver fittings are all manufactured from hard wearing, corrosion resistant 316 stainless steel, and fitted with high quality toughened glass.

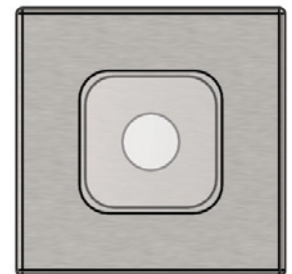
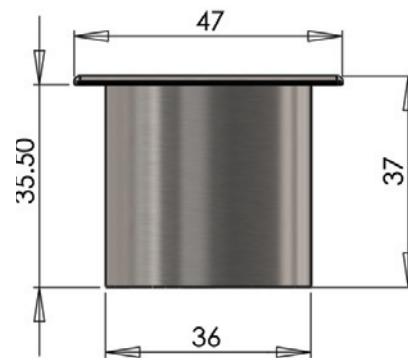
Available in a wide range of sizes, paver fittings can generally be used with fibre sizes ranging from 2mm up to 8mm diameter. This is dependant on the size of ferrule the fitting can accept.

All pavers are supplied in natural stainless steel and are most types are available with a choice of clear or frosted glass.

The P14 is a medium walkover paver with a 47mm square flange and a total depth of 37mm. Fitted with a 25mm square toughened glass front which can be supplied in either clear or frosted versions.

ORDERING CODES

MODEL	LENS		FERRULE SIZE	
UFO P14	Clear	C	M10	M10
	Frosted	F	8mm	8mm
UFO P14				



Universal Fibre Optics Ltd
Home Place \ Coldstream
TD12 4DT \ UK
+44 (0)1890 883416 \ www.ufo.lighting

Universal Fiber Optic Lighting USA, LLC
1749 Northgate Blvd
Sarasota \ FL34234 \ USA
941-343-8115 \ www.fiberopticlighting.com

UFO Licht GmbH
Friendsfactory AG \ Gutenbergstraße 1
85737 Munchen \ Deutschland
+49 (0)9491 955880 \ www.ufo-licht.de